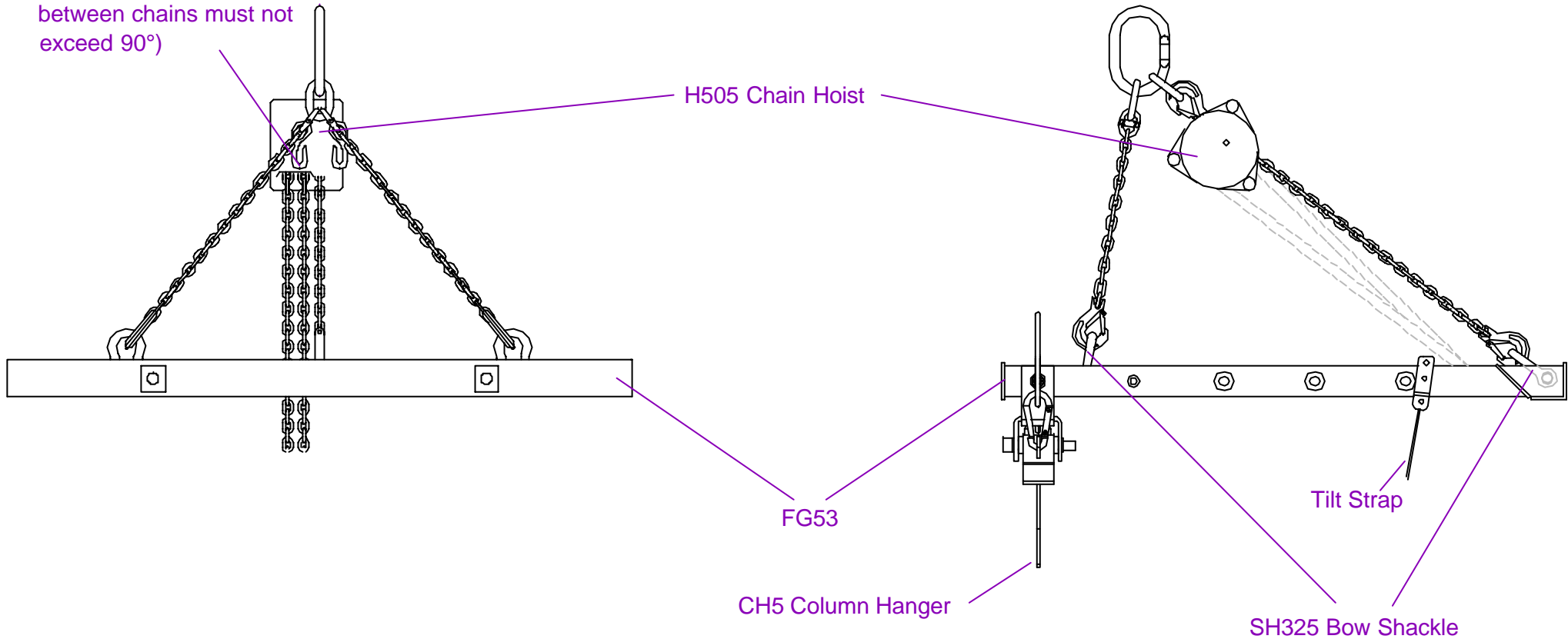


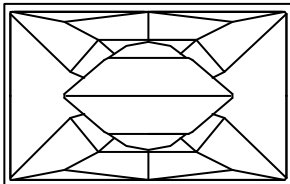
Shackle, Hook and Ring elevations are purely illustrative

Shortening Hook for holding ring closer to Grid (angle between chains must not exceed 90°)



All dimensions in mm and inches

Copyright Funktion-One Research Ltd



**FUNKTION-ONE**

Hoyle, Horsham Road, Beare Green, Dorking, Surrey, RH5 4PS, England

Phone: +44 (0)1306 712820

Fax: +44 (0)1306 711240



mail@funktion-one.com

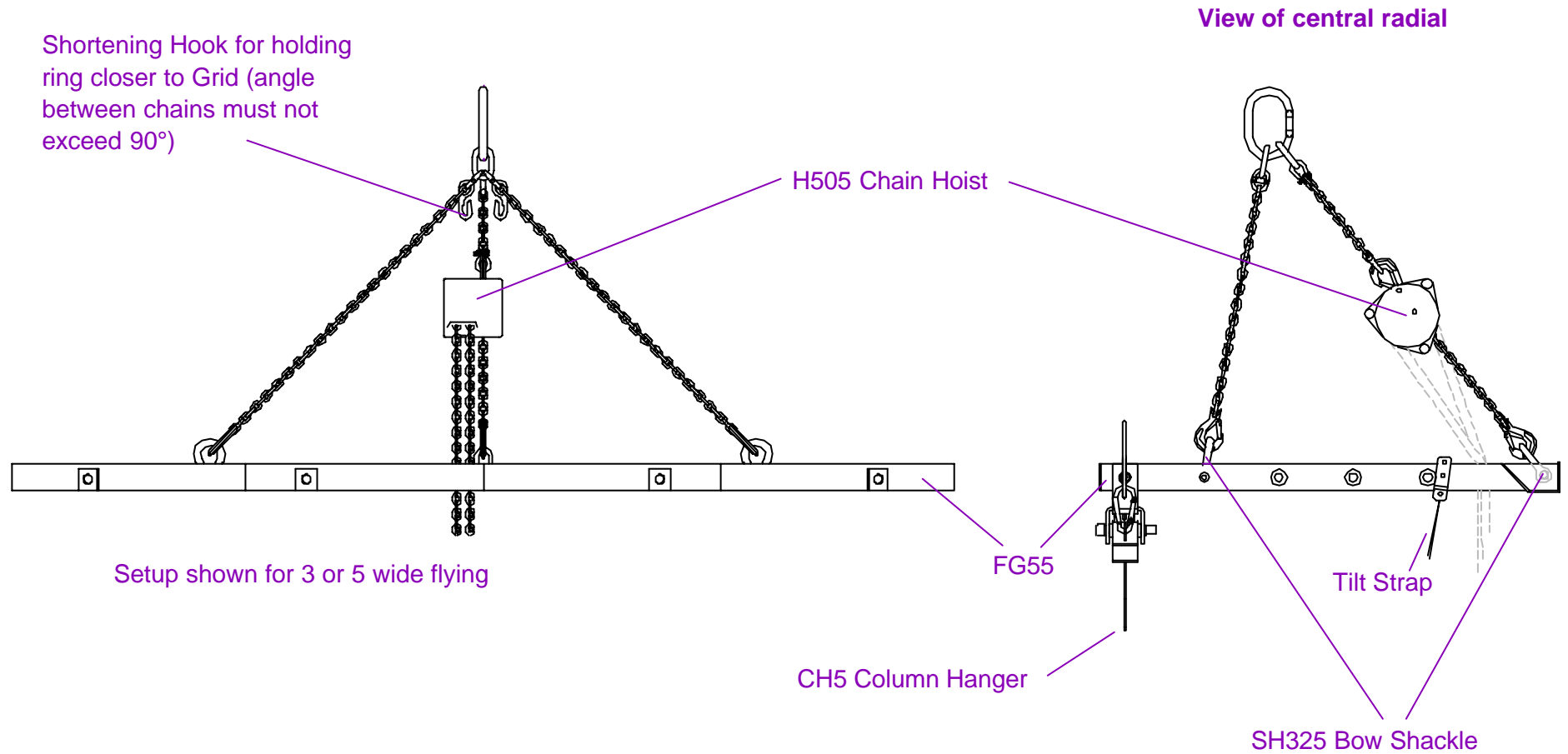
www.funktion-one.com

Accessories for: Resolution 4, 5, 18

BR53 - Chain Bridle for use with FG43 or FG53 flying grids (2 leg)

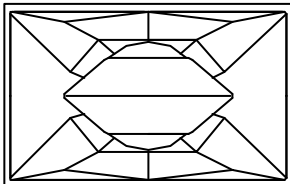
HH505 - Chain Hoist (0.5t) for use in rear leg of BR53 or BR55 bridles for front to back grid levelling

Shackle, Hook and Ring elevations are purely illustrative



All dimensions in mm and inches

Copyright Funktion-One Research Ltd



**FUNKTION-ONE**

Hoyle, Horsham Road, Beare Green, Dorking, Surrey, RH5 4PS, England

Phone: +44 (0)1306 712820

Fax: +44 (0)1306 711240



mail@funktion-one.com

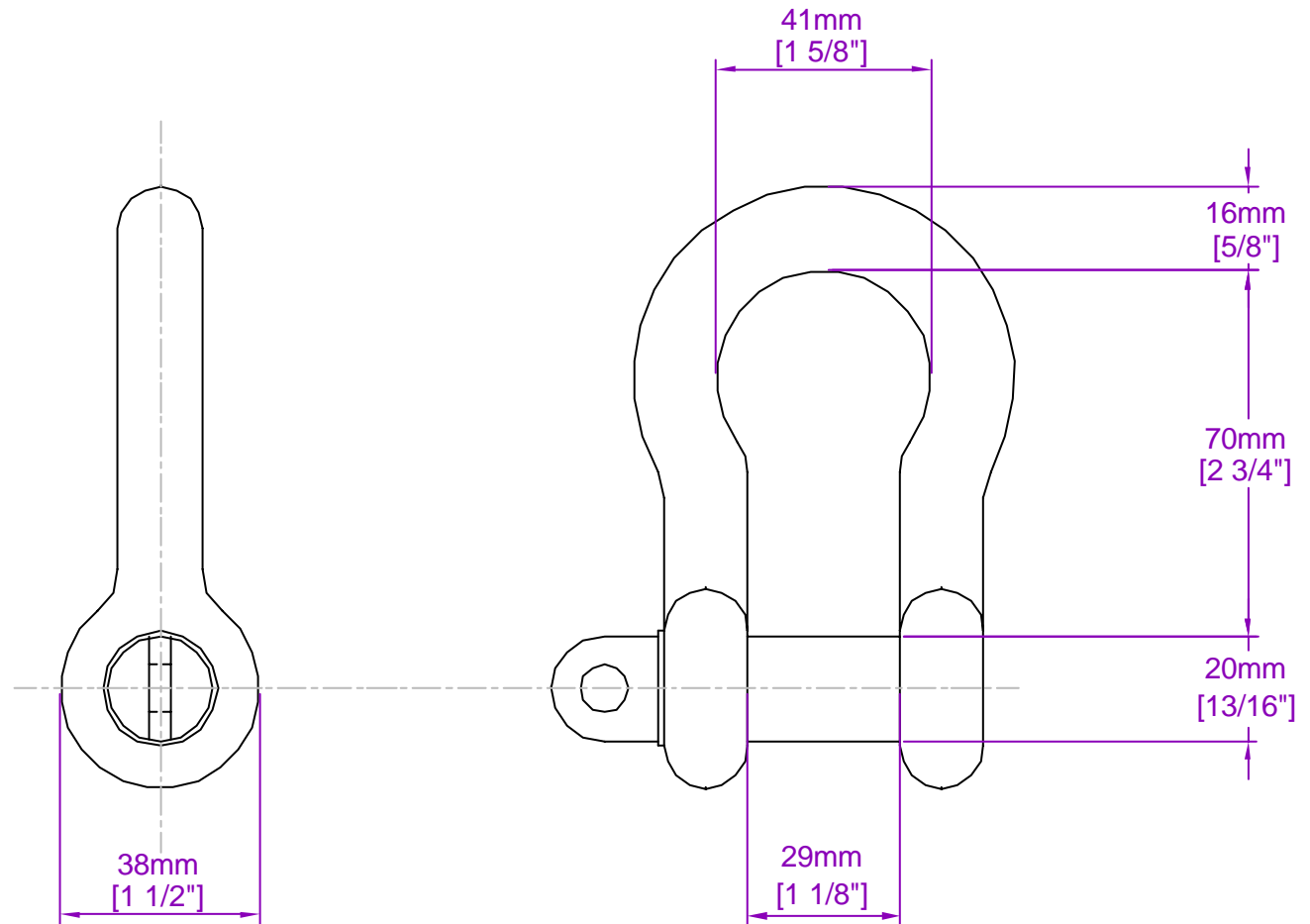
www.funktion-one.com

Accessories for: Resolution 4, 5, 18

BR55 - Chain Bridle for use with FG55 flying grids (2 leg)

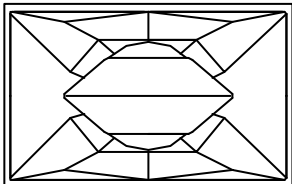
HH505 - Chain Hoist (0.5t) for use in rear leg of BR53 or BR55 bridles for front to back grid levelling

The SH325 Bow Shackle is used to connect the bridle and the winch to the Flying Grid and to attach safety steels



All dimensions in mm and inches

Copyright Funktion-One Research Ltd



**FUNKTION-ONE**

Hoyle, Horsham Road, Beare Green, Dorking, Surrey, RH5 4PS, England

Phone: +44 (0)1306 712820

Fax: +44 (0)1306 711240



mail@funktion-one.com

www.funktion-one.com

Accessories for: Resolution 4, 5, 18

SH325 - Bow Shackle