



Keyhole Slot for rear bridle leg length adjustment
(used for front to back grid levelling)

Two alternative attachment points for tilt straps

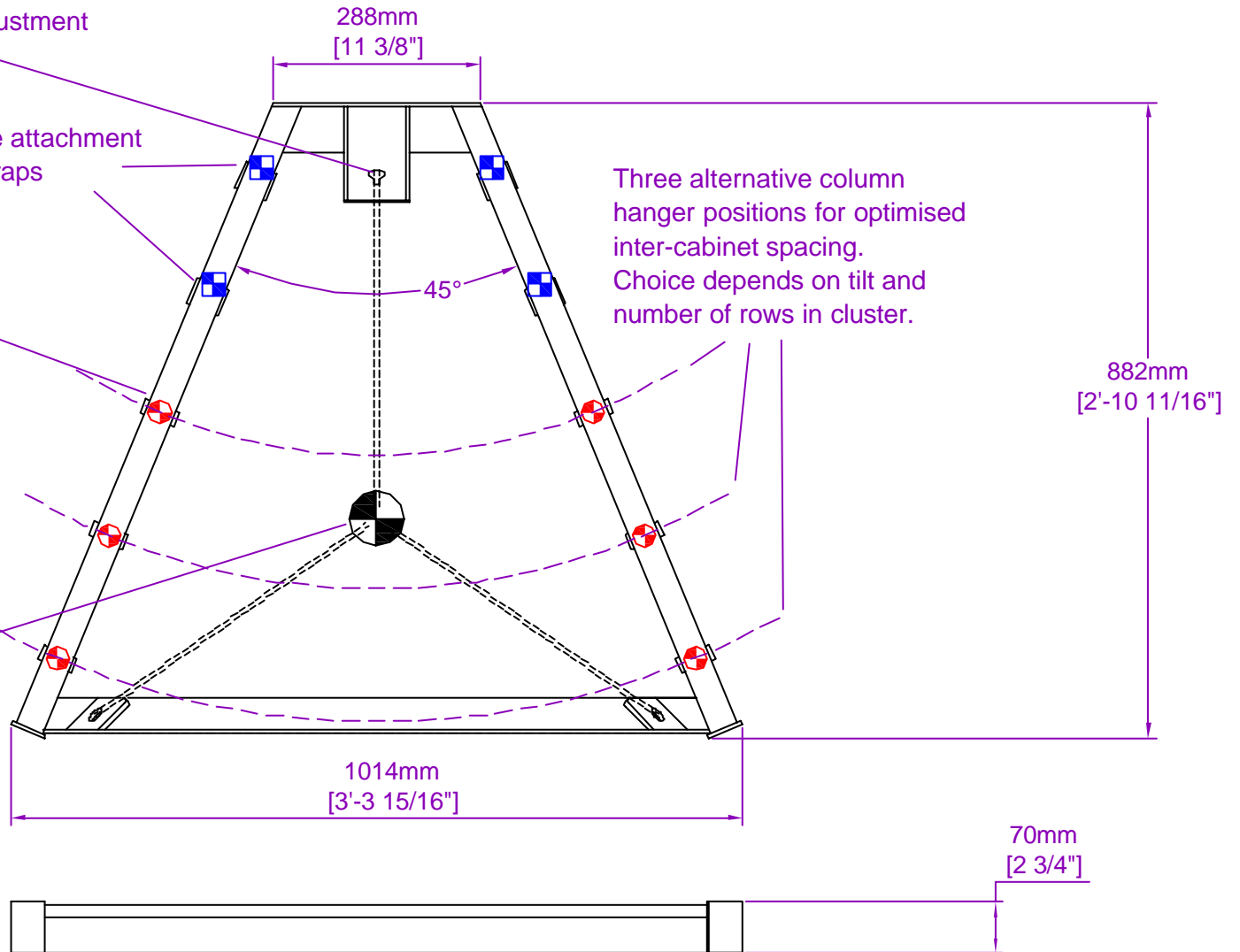
Inner Column Hanger points can also be used as Tilt Strap points

Three alternative column hanger positions for optimised inter-cabinet spacing.
Choice depends on tilt and number of rows in cluster.

 Tilt Strap Points
(TS5, TS5-S)

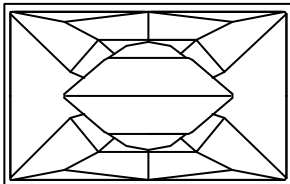
 Pick up points for Column Hangers
(CH5)

3 Leg Bridle included with FG42



All dimensions in mm and inches

Copyright Funktion-One Research Ltd



FUNKTION-ONE

Hoyle, Horsham Road, Beare Green, Dorking, Surrey, RH5 4PS, England

Phone: +44 (0)1306 712820

Fax: +44 (0)1306 711240



mail@funktion-one.com

www.funktion-one.com

Accessories for: Resolution 4






FG42 - Flying Grid for 2 wide R4-T with captive Bridle (includes SH325)

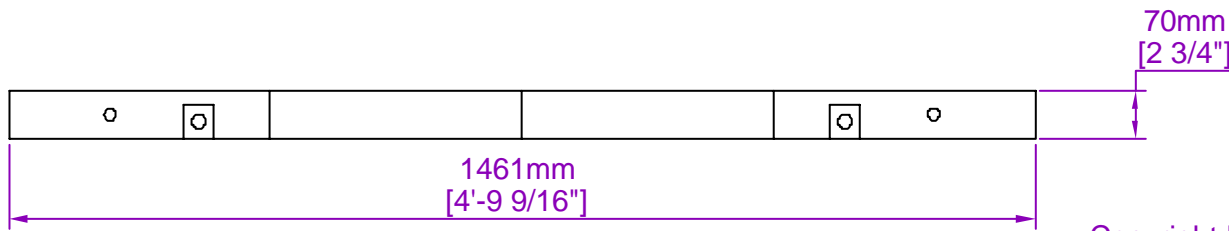
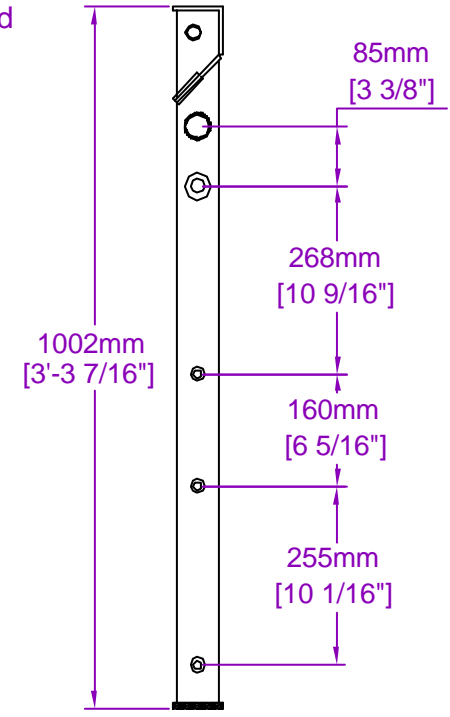
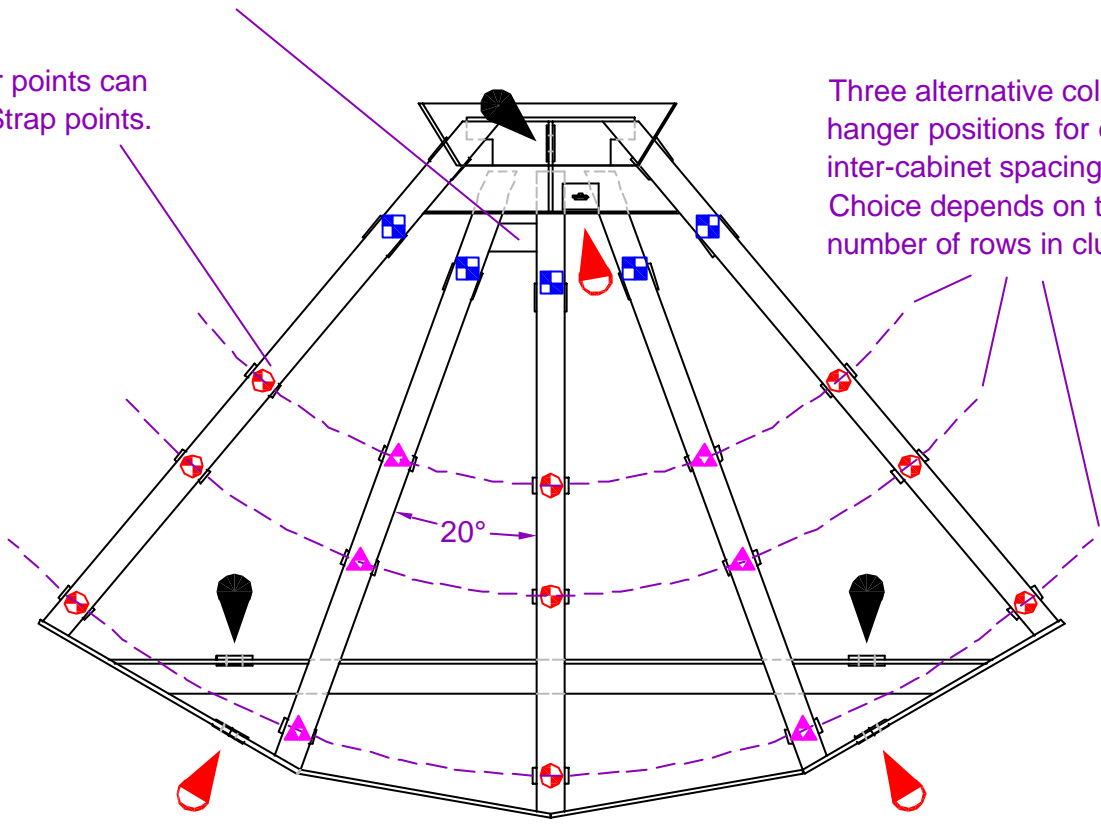
Also required: 2 x CH5, 2 x TS5 or TS5-S

Guide Tube for hand chain of rear leg bridle levelling hoist.

Inner Column Hanger points can also be used as Tilt Strap points.

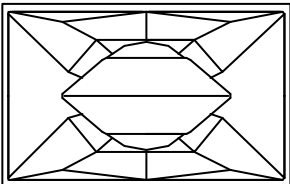
Three alternative column hanger positions for optimised inter-cabinet spacing. Choice depends on tilt and number of rows in cluster.

-  Main Bridle Points
-  Safety Bridle Points
-  Tilt Strap Points (TS5, TS5-S)
-  Pick up points for Column Hangers for 3 wide R4T (CH5)
-  Pick up points for Column Hangers for 2 wide R4T (CH5)



All dimensions in mm and inches

Copyright Funktion-One Research Ltd



FUNKTION-ONE

Hoyle, Horsham Road, Beare Green, Dorking, Surrey, RH5 4PS, England

Phone: +44 (0)1306 712820
 Fax: +44 (0)1306 711240



mail@funktion-one.com
 www.funktion-one.com





Accessories for: Resolution 4, 18

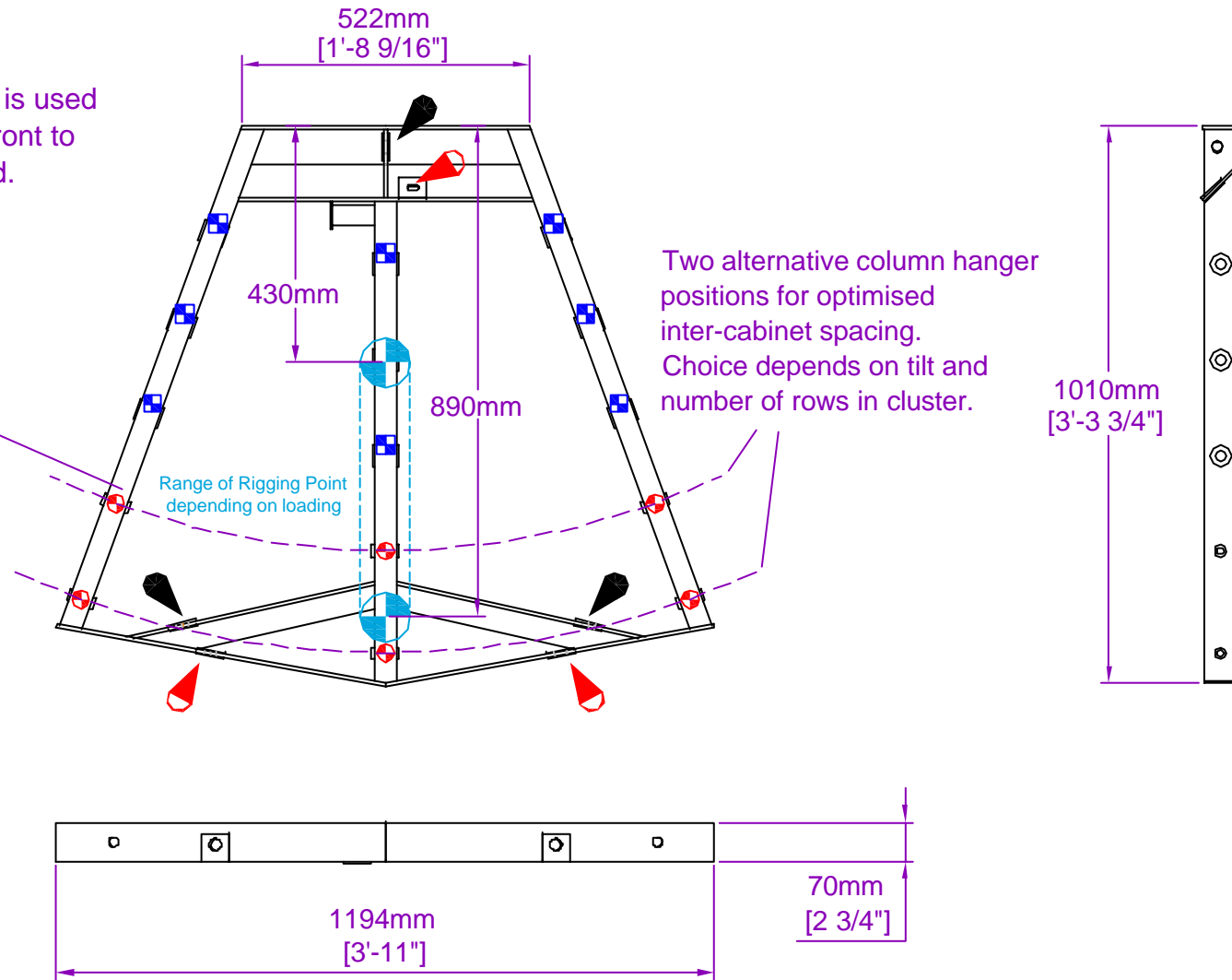
FG43 - Flying Grid for 2 or 3 wide R4-T

Also required: 1 x BR53, 1 x H505, 3 x SH325, 3 x CH5, 3 x TS5 or TS5-S

A small 1/2 ton hand hoist (HH505) is used as the rear leg of bridle for easy front to back grid levelling under load.

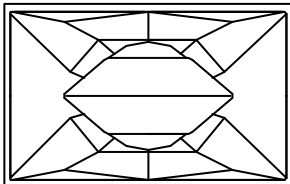
Inner Column Hanger points can also be used as Tilt Strap points.

-  Main Bridle Points
-  Safety Bridle Points
-  Tilt Strap Points (TS5, TS5-S)
-  Pick up points for Column Hangers (CH5)



All dimensions in mm and inches

Copyright Funktion-One Research Ltd



FUNKTION-ONE

Hoyle, Horsham Road, Beare Green, Dorking, Surrey, RH5 4PS, England

Phone: +44 (0)1306 712820
 Fax: +44 (0)1306 711240

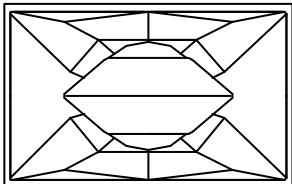
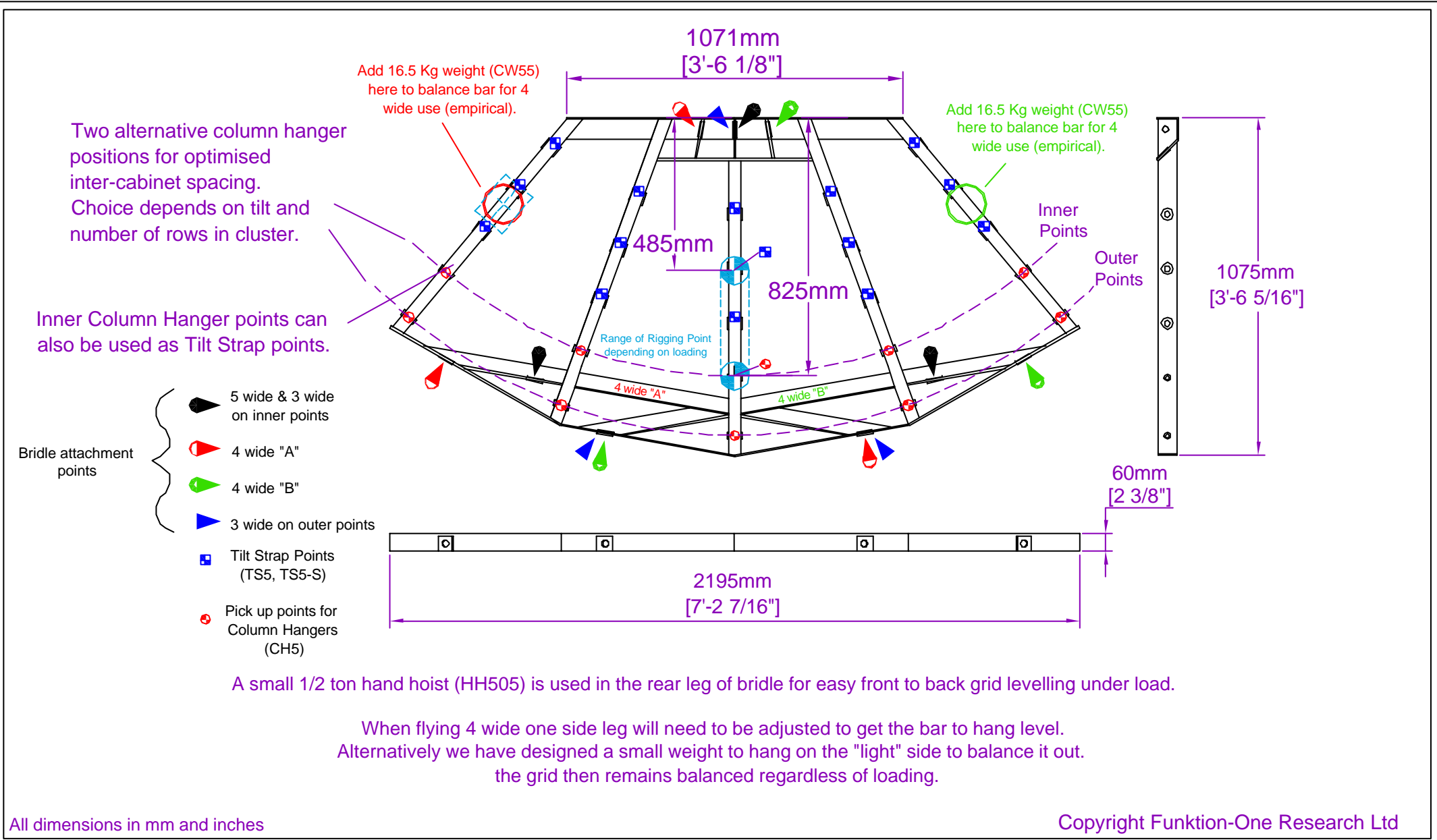


mail@funktion-one.com
 www.funktion-one.com

Accessories for: Resolution 4, 5, 18

FG53 - Flying Grid for 3 wide R5 enclosures or 2 wide R4 with central R18

Also required: 1 x BR53, 1 x H505, 3 x SH325, 3 x CH5, 3 x TS5 or TS5-S



FUNKTION-ONE

Hoyle, Horsham Road, Beare Green, Dorking, Surrey, RH5 4PS, England

Phone: +44 (0)1306 712820

Fax: +44 (0)1306 711240



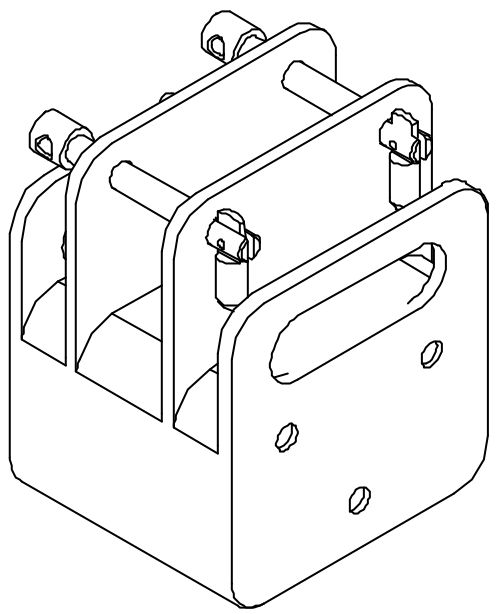
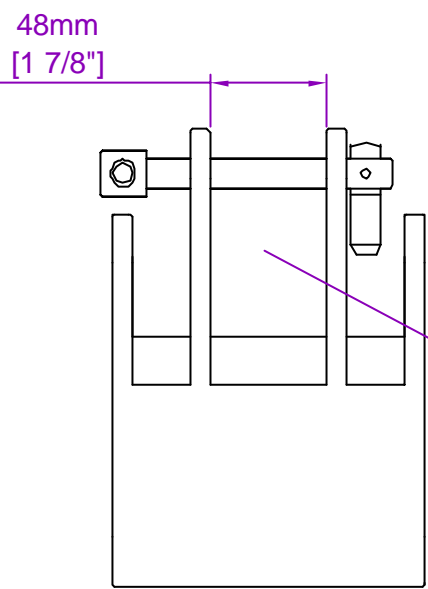
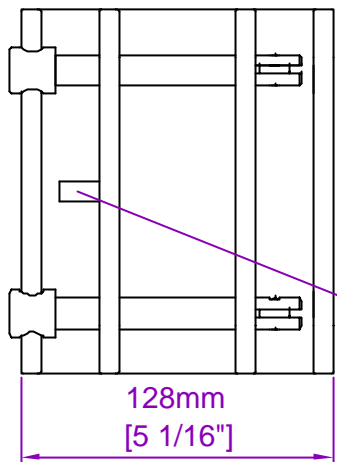
mail@funktion-one.com

www.funktion-one.com

Accessories for: Resolution 4, 5, 18

FG55 - Flying Grid for 3, 4 or 5 wide R5s or 3 wide R4s with interspersed R18s

Also required: 1 x BR55, 1 x H505, 3/4/5 x SH325, 3/4/5 x CH5, 3/4/5 x TS5 or TS5-S

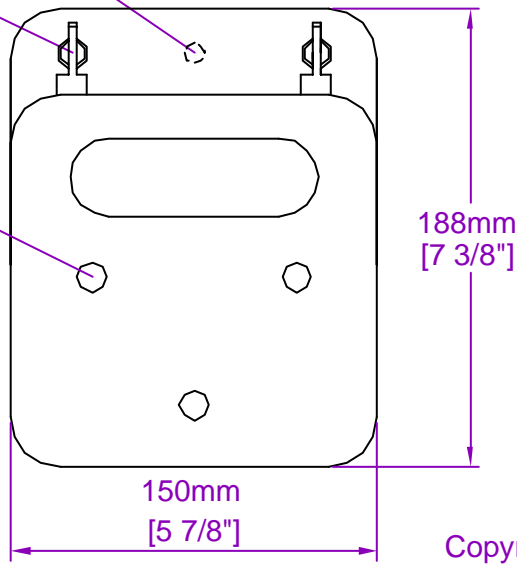


Position of stud to hold sword pins captive.

Holes to take 1/2" sword pins.

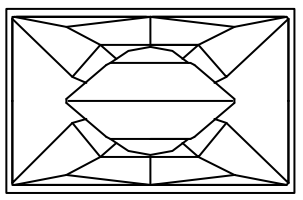
Held together with three 12mm rods/bolts puddle welded at ends.

Flybar fits through gap, swordpins go over the top of flybar to secure counterbalance



All dimensions in mm and inches

Copyright Funktion-One Research Ltd



FUNKTION-ONE

Hoyle, Horsham Road, Beare Green, Dorking, Surrey, RH5 4PS, England

Phone: +44 (0)1306 712820

Fax: +44 (0)1306 711240



mail@funktion-one.com

www.funktion-one.com

Accessories for: Resolution 4, 5, 18

CW55 - Counter Weight to enable balanced 4 wide flying on FG55